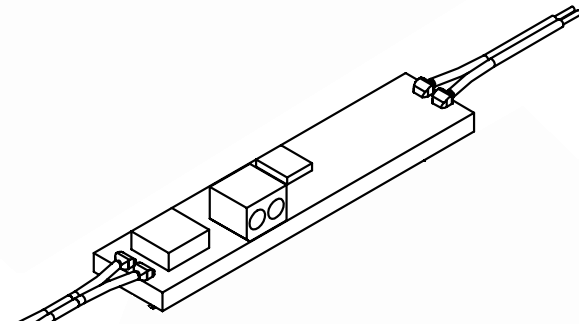


Radium

IN-PROFILE DOOR SENSOR 96W/12-24V



Radium Lampenwerk GmbH

Dr.-Eugen-Kersting-Straße 6
51688 Wipperfürth
GERMANY

www.radium.de

V2010



Radium Lampenwerk GmbH

Dr.-Eugen-Kersting-Straße 6
51688 Wipperfürth
GERMANY

www.radium.de

V2010



Features

- Door sensor switch, connected directly to the low voltage Radium LED-Strips.
- When the door opens, or no barrier is ahead, the strip turns on gradually. When the door closes, or barrier is ahead, the strip turns off gradually.
- Max 4A output current, max output power 96W at 24V.
- To operate in Radium aluminum profiles
- 3M paste in the bottom of the PCB to ensure easy installation and security.

Technical Parameters

Input and Output

Input voltage	12-24VDC
Output voltage	12-24VDC
Output power	Max. 48W @ 12V Max. 96W @ 24V
Standby power	< 0,5W

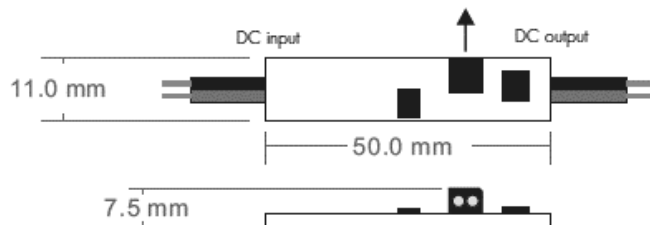
Sensor data

Detective desistance	< 10 cm
Detective angle	15-30

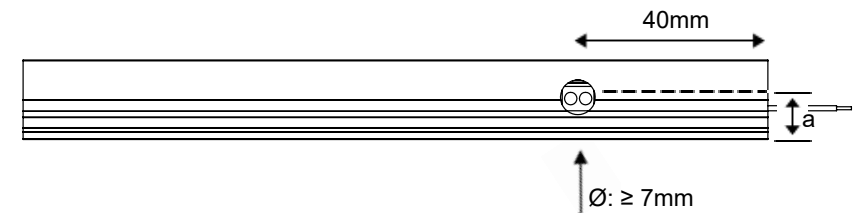
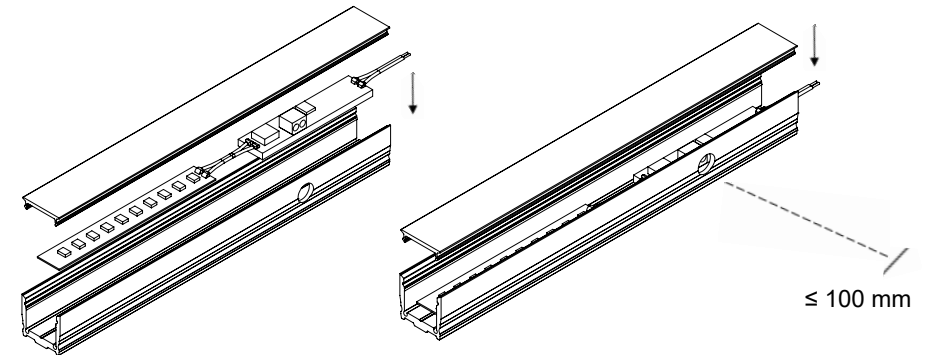
Environment

Operation temperature	Ta: -30°C ~ +55°C
-----------------------	-------------------

⚠ Do not mount on flameable surfaces.



Installation



Recommended Profiles

Aluminum Profiles	Article no.	a
PROFILE SMALL U	TRPA2501	8 mm
PROFILE MEDIUM U	TRPA2541	9 mm

